

Back

- o Flat Cable Connectors SEK
- o *har-mik®*
- o D-Sub
- o InduCom

➔ Applications



Product details

09 20 010 2812

Female insert, Han 10 A

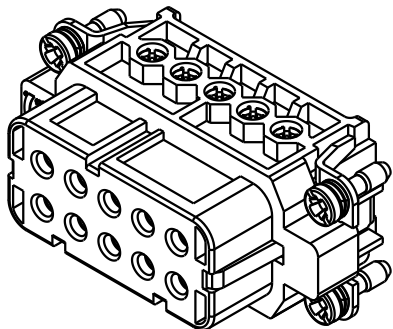
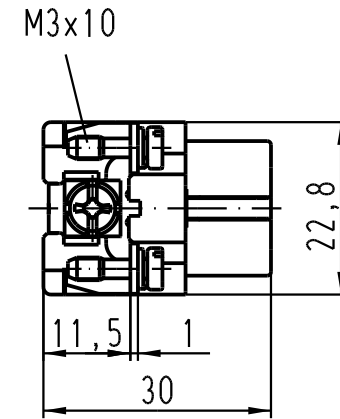
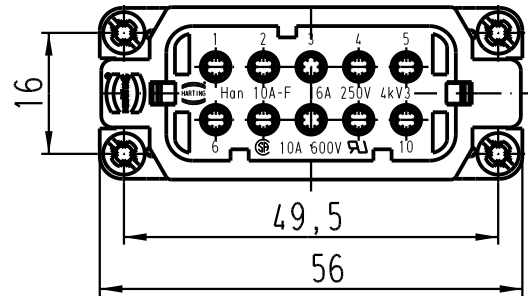
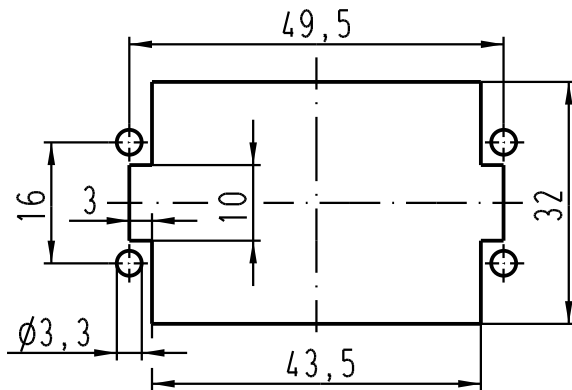
Series	Han A®
Number of contacts	10 poles + PE
Size of hood/ housing	Han® 10 A
Termination	Screw termination
Insert material	Standard material
Contacts	Inclusive
Electrical data	16 A 250 V 4 kV 3
RoHS compliant	Yes

Available Downloads

Title	Format	
Data sheet	PDF	↓ download
CAD data 2D	DXF	↓ download
CAD data 3D	IGES	↓ download

Inquiry

Montageausschnitt/
panel cut out



All Dimensions in mm Original Size DIN A 4			Techn. Character.			Nicht tolerierte Masse / Free size tolerances		
				Dat.	Name	Massstab / Scale		Han 10A-F-s Buchseneinsatz / female insert
411720	25.07.05	Grie	Detail.	29.03.99	PL	1:1		
411421	20.01.05	Loe.	Insp.		SDT			
410526	18.07.03	Ho	Stand.					
29620	28.06.01	ROH.	HARTING Electric GmbH & Co. KG			TB 09 20 010 2812		Blatt / page /
25622			D-32339 Espelkamp					
Mod.	Dat.	Name						

